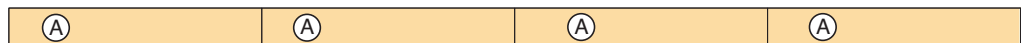


# COPPER AND CEDAR PLANTER PROJECT DIAGRAM

## CUTTING LIST

Part		FINISHED SIZE			Material	Pcs
		T	W	L		
A	sides	$\frac{3}{4}$	$3\frac{1}{2}$	$23\frac{3}{4}$	C	4
B	ends	$\frac{3}{4}$	$3\frac{1}{2}$	8	C	4
C	narrow sides	$\frac{3}{4}$	$1\frac{1}{2}$	$23\frac{3}{4}$	C	2
D	narrow ends	$\frac{3}{4}$	$1\frac{1}{2}$	8	C	2
E	bottom	$\frac{3}{4}$	$3\frac{1}{2}$	23	C	1
F	top trim	$\frac{3}{4}$	$1\frac{1}{2}$	$24\frac{1}{2}$	C	2
G	top end trim	$\frac{3}{4}$	$1\frac{1}{2}$	$8\frac{3}{4}$	C	2
Materials : C-cedar						

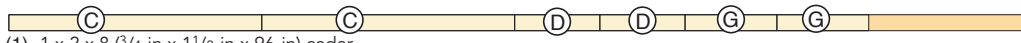
## CUTTING DIAGRAM



(1) -1 x 4 x 8 ( $\frac{3}{4}$ -in x  $3\frac{1}{2}$ -in x 96-in) cedar



(1) -1 x 4 x 8 ( $\frac{3}{4}$ -in x  $3\frac{1}{2}$ -in x 96-in) cedar



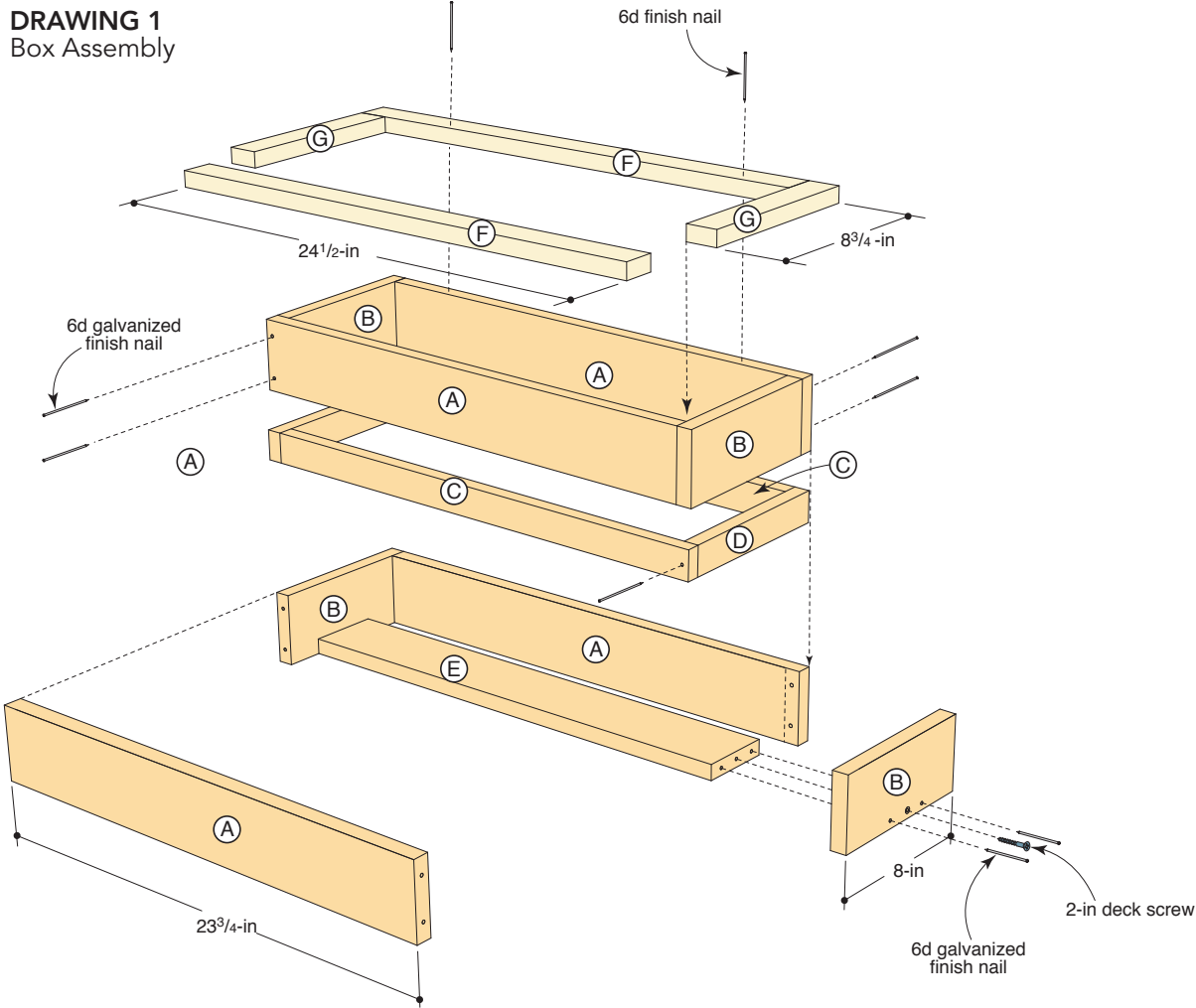
(1) -1 x 2 x 8 ( $\frac{3}{4}$ -in x  $1\frac{1}{2}$ -in x 96-in) cedar



(1) -1 x 2 x 8 ( $\frac{3}{4}$ -in x  $1\frac{1}{2}$ -in x 96-in) cedar

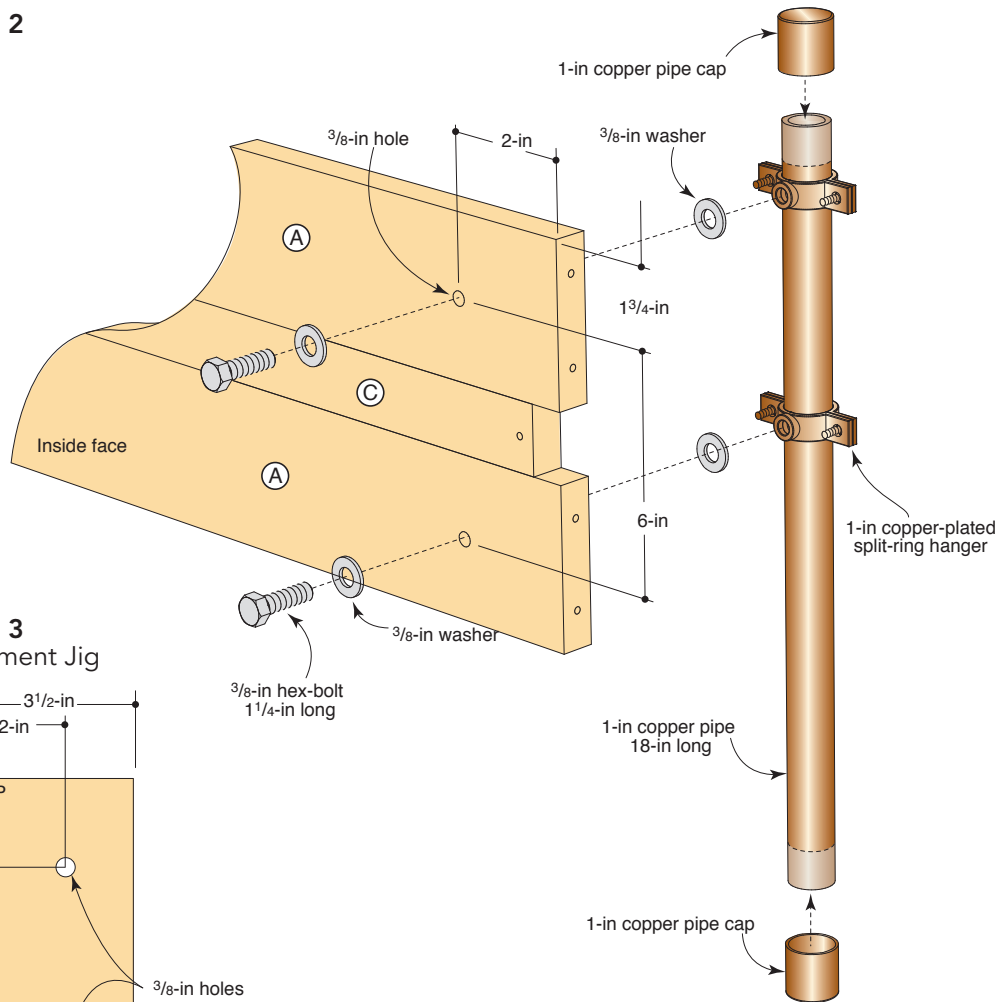
# COPPER AND CEDAR PLANTER PROJECT DIAGRAM

**DRAWING 1**  
Box Assembly

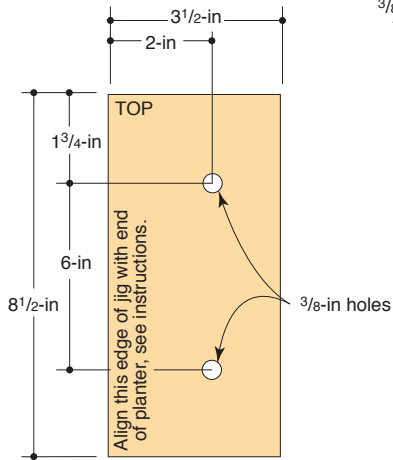


# COPPER AND CEDAR PLANTER PROJECT DIAGRAM

**DRAWING 2**  
Leg Detail



**DRAWING 3**  
Hole Placement Jig



# COPPER AND CEDAR PLANTER PROJECT DIAGRAM

**DRAWING 4**  
Final Assembly

